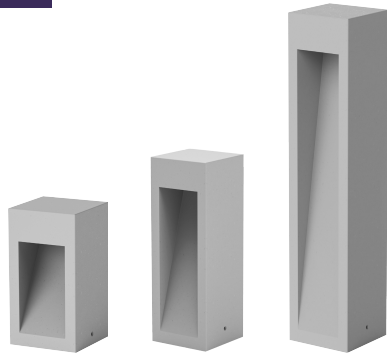


LS-LED840 Architectural Concrete Bollard



Concrete LED bollards offer a powerful blend of exceptional physical durability and the high performance and efficiency of LED lighting technology, making them a robust, long-lasting, and low-maintenance outdoor lighting solution. The material offers a unique, secure, and often minimalist or industrial aesthetic that can complement modern architectural designs. They are also customizable with various finishes, colors (dark grey, silver gray, sandy white and terracotta red), and textures to blend seamlessly into different landscapes.

Unlike metal bollards (such as steel or even some aluminum alloys that can rust and corrode rapidly if their protective coating is compromised), concrete LED bollards are exceptionally well-suited of seaside and marine environments primarily due to concrete's natural resistance to the corrosive effects of salt, moisture, and extreme weather, outperforming many traditional materials in these harsh conditions. The need for continuous painting or rust treatment required by metal fixtures in salty air is virtually eliminated. It also resists UV radiation damage that can degrade plastics over time.

The unit is complete with anchor base mounting kit. Additional benefits include glass diffused lens with asymmetric distribution, and dark sky friendly with comfortable visual illumination to the pathway.



Natural precast concrete for marine grade outdoor environment



Available in dark gray, silver gray, sandy white and terracotta red highly resistant to rust and decay



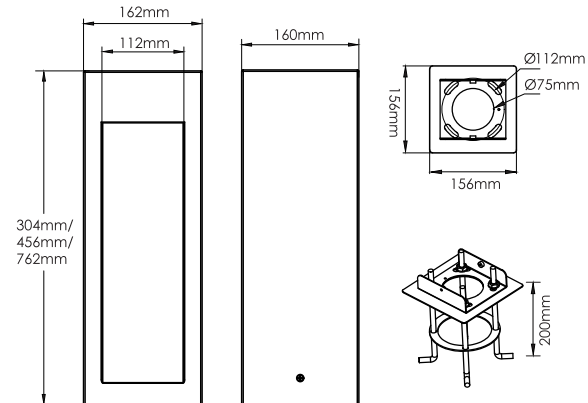
Anchor base mounting kit

Product information

Durable with rated life span L70>100,000 hours / No UV or IR emissions / Instant Illumination & flicker free / CE, UKCA & RoHS international standards / Environmentally friendly & part recyclable: no mercury or other hazardous materials used / Concrete stone material housing & glass diffused lens / Complies with EN60598

Code	Nominal Size	Power Consumption	Lumen Output	Nett Weight
LS-LED840-12	304.8mm x 162mm x 160mm	14W	300lm	9.1kg
LS-LED840-18	456mm x 162mm x 160mm	14W	300lm	13.6kg
LS-LED840-30	762mm x 162mm x 160mm	14W	300lm	23.6kg

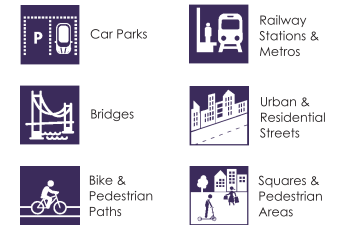
Dimensions and mounting



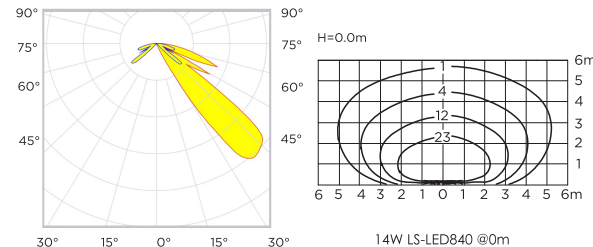
Technical Specification

Beam Angle: Asymmetric
 Lumen Output: 300lm
 Input Voltage: 120-277VAC
 Color Rendering Index: ≥80Ra
 LED Type: LM80 5050LEDs
 Operating Temperature: -20°C to 50°C
 Power Factor: ≥0.95
 Color Temperature: Neutral White 4000K
 (Others available on request)

Applications:



Photometric distribution



Benefits -

- Visual appealing concrete stone material housing creates an exceptional architectural texture perception

Key Features -

- Impervious to rust and decay caused by high humidity, chemical or other environmental factors
- Provide dark sky compliant asymmetrical and visual comfortable illumination to the pathway
- Natural concrete and stone mix finish available in dark gray, silver gray, sandy white and terracotta red
- Low maintenance requirements, which significantly reduces long-term labor costs