

# LS-LED805-600-42 Premium Bollard-Square

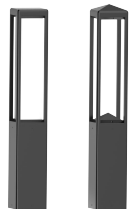


As a modular system, Lighting Source system bollards enable luminaire heads and bollard tubes to be combined with various additional functions.

In lighting systems, luminaires of different heights or with additional functions, but with the same design and lighting technology, are often required. As part of our system bollard range, we offer bollard tubes with built-in floodlights, emergency lighting batteries, motion and light sensors, control modules.

In addition to aluminium bollard tubes, we also offer component-free bollard tubes, made of a combination of cast aluminium and Accoyap® wood. Simply order the bollard head and the desired bollard tube. The two modules can be quickly and easily connected to one another during installation.

These unshielded luminaire heads, from our modular system bollard range, emit their light symmetrically through 360° around the installation point. Luminaires for the illumination of pathways, squares and entrance areas.



Luminaires of different heights or with additional functions



Standard color in Silver gray, Corten Brown, Dark Gray, Matte white, Pine Green, Matte black highly resistant to rust and decay



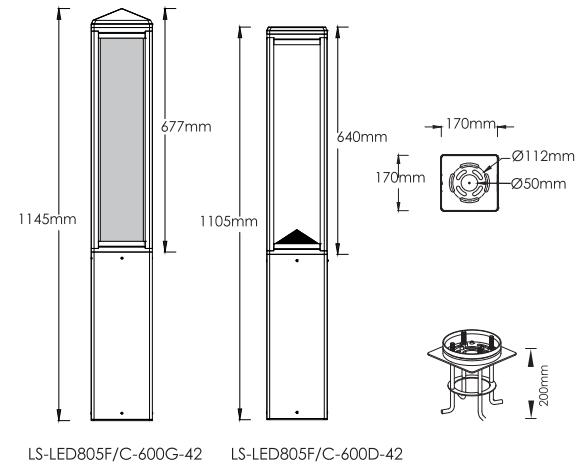
Anchor base mounting kit

## Product information

Durable with rated life span L70>100,000 hours / No UV or IR emissions / Instant Illumination & flicker free / CE, UKCA & RoHS international standards / Environmentally friendly & part recyclable: no mercury or other hazardous materials used / Heavy duty die-cast aluminium housing & UV-stabilised polycarbonate / Complies with EN60598

Code	Nominal Size	Power Consumption	Lumen Output	Nett Weight
LS-LED805C-600D-42	170mm x 170mm x1145mm	24/19/14/10W	2,400/2,000/1,400/950lm	6.1kg
LS-LED805C-600G-42	170mm x 170mm x1145mm	24/19/14/10W	1,200/800/600/400lm	8.1kg
LS-LED805F-600D-42	170mm x 170mm x1105mm	24/19/14/10W	2,400/2,000/1,400/950lm	6.2kg
LS-LED805F-600G-42	170mm x 170mm x1105mm	24/19/14/10W	1,200/800/600/400lm	8.0kg

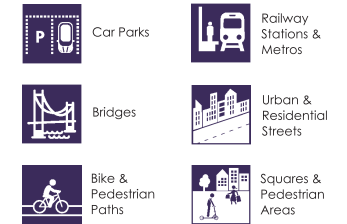
## Dimensions and mounting



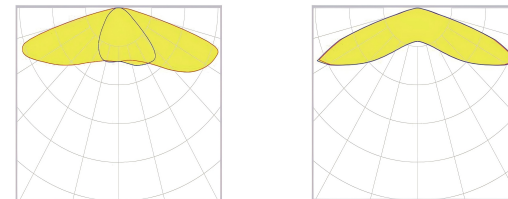
## Technical Specification

Beam Angle: TypeIII / TypeV  
 Luminous Efficacy: 160lm/W up  
 Input Voltage: 100-277VAC  
 Color Rendering Index: ≥80Ra  
 LED Type: LM80 3030LEDs  
 Operating Temperature: -20°C to 50° C  
 Power Factor: ≥0.95  
 Color Temperature: Neutral White 4000K  
 (Others available on request)

## Applications:



## Photometric distribution



Type III

Type V

## Benefits -

- Right lighting offering high performance photometry, comfort and safety

## Key Features -

- Elegantly designed with visual-comfortable illumination performance
- Impact proof IK10 rated PC lens with symmetrical distribution
- Optional -20°C emergency battery backup driver
- Robust design for maintained performance over time
- High performance lighting with optimised light distributions designed for general open areas