

LS-LED715 Post-top street Luminaire



The LS-LED715 series post-top is available as a smooth cylinder or incorporate a large canopy. With two timeless aesthetic designs, the Slimline blends into all kinds of urban environments for column/post mounting at heights of 3-6m, suited to general open areas such as pedestrian areas, car parks and low-to-medium traffic urban applications.

With a high tightness level and a very high degree of impact resistance, this luminaire is built to withstand harsh environmental conditions and vandalism to perform over time. Optional top hat canopy for a traditional look or slimline PMMA optic only for a minimalistic look, with a best-in-class degree of uniformity across a range of existing and new lighting pole installations. Furthermore, luminaire comes with optional 3/7 Pin NEMA socket for photocell/wireless plug-in or in 1-10V / DALI for PLC or dedicated dimming & controls.

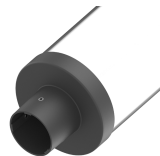
The unit is complete with base mount suitable for 76mm post top entry hence universally compatible. Additional benefits include 140lm/W efficacy, +100,000 hour maintenance free performance and minimal disturbance to nocturnal wildlife to the lack of UV/IR spectrum associated with LED photometric characteristics.



Luminaires of different heights or with additional functions



Standard color in Silvergray, Corten Brown, Dark Gray, Matte white, Pine Green, Matte black highly resistant to rust and decay



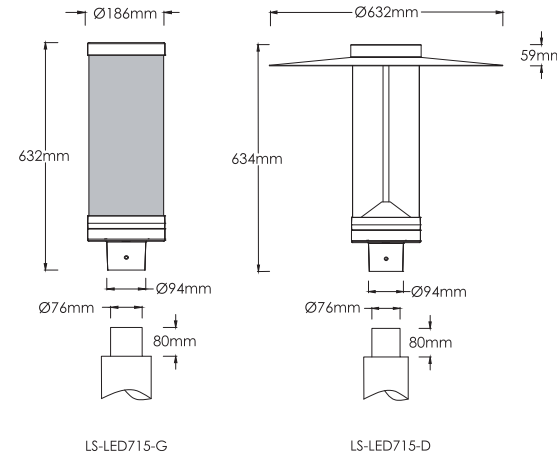
Suitable for 76mm column entry

Product information

Durable with rated life span L70>100,000 hours / No UV or IR emissions / Instant Illumination & flicker free / CE, UKCA & RoHS international standards / Environmentally friendly & part recyclable: no mercury or other hazardous materials used / Heavy duty die-cast aluminium housing & UV-stabilised PMMA / Complies with EN60598

Code	Nominal Size	Power Consumption	Lumen Output	Nett Weight	Windage
LS-LED715G-050	Ø186mm x 632mm	50W	5,500lm	4.2kg	0.114m ²
LS-LED715D-050	Ø186mm x 632mm	50W	7,000lm	4.2kg	0.114m ²

Dimensions and mounting



Post-top on a 76mm with 80mm long spigot - 8x M8 screws

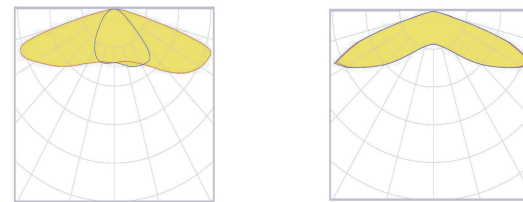
Technical Specification

Beam Angle: TypeIII / TypeV
 Luminous Efficacy: 140lm/W up
 Input Voltage: 100-277VAC
 Color Rendering Index: ≥80Ra
 LED Type: LM80 3030LEDs
 Operating Temperature: -20°C to 50°C
 Power Factor: ≥0.95
 Mounting Option: Post-top slip-over - Ø76mm
 Mounting Height: 3-6m
 Color Temperature: Neutral White 4000K
 (Others available on request)

Applications:



Photometric distribution



Type III

Type V

Benefits -

- Timeless urban lighting solution integrating the latest LED technology

Key Features -

- Elegant and robust design with 2 aesthetic versions
- Dark sky friendly, no light pollution (ULOR 0%)
- Compatible with post-top mounting on a 76mm Column
- Various dimming/control options: 3/7 pin NEMA ready or Zhaga socket on request
- High performance lighting with optimised light distributions designed for general open areas