

LS-LED712 Post-top street Luminaire



The architecturally-inspired shape of LS-LED712 post-top embodies grace and strength, creating a beautiful sculpture by day transforming into a beacon of comfort by night. Available in multiple lumen packages, its elegant design and pedestrian-friendly illumination elevate the experience of occupant in today's urban pedestrian spaces.

With a high tightness level and a very high degree of impact resistance, this luminaire is built to withstand harsh environmental conditions and vandalism to perform over time. High-pressure die cast aluminium housing finished with 5mm tempered prismatic glass, the Blade II luminaire gives all round uniform illumination while remains dark sky friendly, capable for reaching 20-30lux from typical 6-8m installations. The Blade II ensures photometric performance and visual comfort to offer safety and well-being in the public space. Furthermore, the luminaire is compatible with standard external mains photocells for dusk-fill-dawn control. The unit is complete with base mount suitable for 76mm post top entry hence universally compatible. Additional benefits include 120m/W efficacy, +100,000 hour maintenance free performance, no-tools/quick release access to internal gear tray for maintenance, and the hinge mechanism further secured with stainless steel safety strap.



Prismatic tempered glass designed for optimised light distributions



Standard color in Silvergray, Corten Brown, Dark Gray, Matte white, Pine Green, Matte black highly resistant to rust and decay



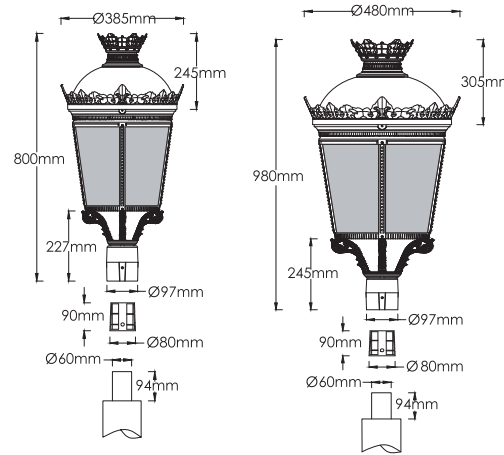
Suitable for Ø60mm/ Ø76mm column-entry

Product information

Durable with rated life span L70>100,000 hours / No UV or IR emissions / Instant Illumination & flicker free / CE, UKCA & RoHS international standards / Environmentally friendly & part recyclable: no mercury or other hazardous materials used / Heavy duty die-cast aluminium housing & 5mm prismatic tempered glass / Available in DALI or 1-10V dimmable and PLC control systems / Complies with EN60598

Code	Nominal Size	Power Consumption	Lumen Output	Nett Weight	Windage
LS-LED712S-050	Ø385mm x 800mm	50W	6,000lm	8.6kg	0.26m ²
LS-LED712S-080	Ø386mm x 800mm	80W	9,600lm	8.6kg	0.26m ²
LS-LED712-100	Ø480mm x 980mm	100W	12,000lm	8.6kg	0.30m ²
LS-LED712-150	Ø480mm x 980mm	150W	18,000lm	8.6kg	0.30m ²

Dimensions and mounting



Post-top on a Ø60mm / Ø76mm with 94mm long spigot - 8 x M8 screws

LS-LED712S Post-top

LS-LED712 Post-top

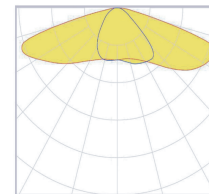
Technical Specification

Beam Angle: TypeIII / TypeV
 Luminous Efficacy: 120lm/W
 Input Voltage: 100-277VAC
 Color Rendering Index: ≥80Ra
 LED Type: LM80 3030LEDs
 Operating Temperature: -20°C to 50°C
 Power Factor: ≥0.95
 Mounting Option: Post-top slip-over - Ø76mm Ø60mm (with an accessory)
 Mounting Height: 3-10m
 Color Temperature: Neutral White 4000K (Others available on request)

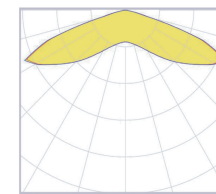
Applications:



Photometric distribution



Type III



Type v

Benefits -

- Architecturally-inspired design to create an unique ambience

Key Features -

- Tool-less/quick release access to internal gear tray for maintenance
- Dark sky friendly, no light pollution (ULOR 0%)
- Robust design for maintained performance over time
- Various dimming/control options: 3/7 pin NEMA ready or Zhaga socket on request
- High performance lighting with optimised light distributions designed for general open areas