

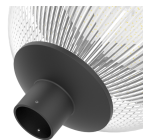
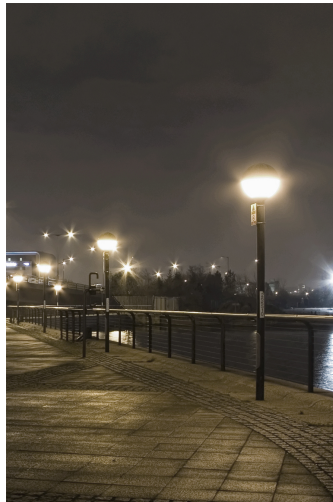
# LS-LED710 Post-top street Luminaire



The LS-LED710 post-top is a modern designed LED luminaire for column/post mounting at heights of 3-8m, suited to general open areas such as pedestrian areas, car parks and low-to-medium traffic urban applications. This classical shape is now refreshed to provide an aesthetic continuity while generating massive energy savings.

IP65 RAL Black die-cast housing finished with a prismatic polycarbonate diffuser, the Globe luminaire gives all round uniform illumination with minimal light spillage, capable for reaching 20-30lux from typical 5-6m installations. The Globe ensures photometric performance and visual comfort to offer safety and well-being in the public space. The robust design guarantees maintained performance over time. Furthermore, the luminaire is compatible with standard external mains photocells for dusk-fill-dawn control.

The unit is complete with base mount suitable for 76mm post top entry hence universally compatible. Additional benefits include 140m/W efficacy, +60,000 hour maintenance free performance and minimal disturbance to nocturnal wildlife to the lack of UV/IR spectrum associated with LED photometric characteristics.



Standard 3/7 pin NEMA available or Zhaga sockets on request

Standard color in Silvergray, Corten Brown, Dark Gray, Matte white, Pine Green, Matte black highly resistant to rust and decay

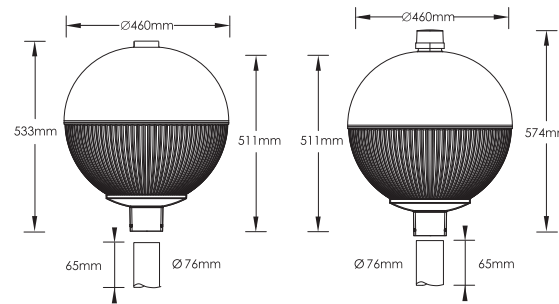
Suitable for Ø76mm column entry

## Product information

Durable with rated life span L70>100,000 hours / No UV or IR emissions / Instant Illumination & flicker free / CE, UKCA & RoHS international standards / Environmentally friendly & part recyclable: no mercury or other hazardous materials used / Heavy duty die-cast aluminium housing & prismatic low-glare polycarbonate diffuser / Complies with EN60598

Code	Nominal Size	Power Consumption	Lumen Output	Nett Weight	Windage
LS-LED710-040	Ø460mm x 511mm	40W	5,600lm	6.9kg	0.17m²
LS-LED710-060	Ø460mm x 511mm	60W	8,400lm	6.9kg	0.17m²

## Dimensions and mounting



Post-top on a Ø76mm with 98mm long spigot - 4 x M8 screws

LS-LED710 Post-top c/w Standard NEMA Socket

LS-LED710 Post-top c/w Dusk-to-Dawn Photocell Sensor

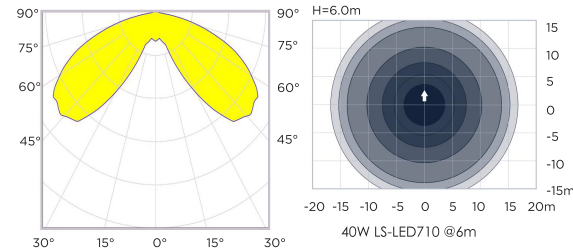
## Technical Specification

Beam Angle: 150° x 150° (All-round-optic)  
 Luminous Efficacy: 140lm/W  
 Input Voltage: 100-277VAC  
 Color Rendering Index: ≥80Ra  
 LED Type: LM80 3030LEDs  
 Operating Temperature: -20°C to 50°C  
 Power Factor: ≥0.95  
 Mounting Height: 3-8m  
 Color Temperature: Neutral White 4000K  
 (Others available on request)

## Applications:



## Photometric distribution



## Benefits -

- Modern classic design for cost-effective urban lighting

## Key Features -

- Right lighting offering high performance photometry, comfort and safety
- Robust design for maintained performance over time
- Supplied pre-cabled to facilitate its installation
- Various dimming/control options: 3/7 pin NEMA ready or Zhaga socket on request
- High performance lighting with optimised light distributions designed for general open areas