

# LS-LED706 Post-top street Luminaire



The LS-LED706 post-top is a traditional looking LED luminaire designed for column/post mounting at heights of between 3-8m. It has a weather-proof design for suitable exterior environments with traditional aesthetic characteristics, such as urban-centres, pathways and pedestrian areas etc. The unit features sturdy one-piece die cast frame and impact proof tempered glass diffuser which protects the LED chips as well as provides a high uniformity across a range of spaces and reduced light spillage, thus further enhancing this 130lm/W efficacy luminaire to give optimum lux levels throughout. The luminaire is powered by a high performance LED driver and furthermore, is compatible with standard mains photocells.



The unit is complete with base mount suitable for 76mm post top entry hence universally compatible. Additional benefits include +60,000 hours maintenance free performance, minimal disturbance to nocturnal wildlife due to the lack of UV/IR spectrum associated with LED photometric characteristics.



Standard 3/7 pin NEMA available or Zhaga sockets on request



Standard color in Silvergray, Corten Brown, Dark Gray, Matte white, Pine Green, Matte black highly resistant to rust and decay



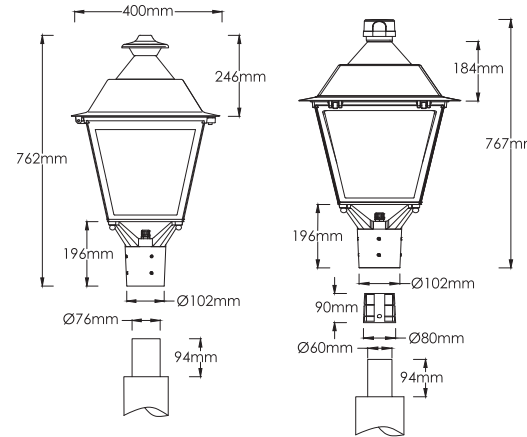
Suitable for Ø60mm/Ø76mm column-entry

## Product information

Durable with rated life span L70>100,000 hours / No UV or IR emissions / Instant Illumination & flicker free / Tool-less access for maintenance / CE, UKCA & RoHS international standards / Environmentally friendly & part recyclable: no mercury or other hazardous materials used / Heavy duty die-cast aluminium housing & 5mm tempered glass lens / Complies with EN60598

Code	Nominal Size	Power Consumption	Lumen Output	Nett Weigh	Windage
LS-LED706-050	400mm x 400mm x 762mm	50W	6,500lm	7.2kg	0.098m²
LS-LED706-080	400mm x 400mm x 762mm	80W	10,400lm	7.2kg	0.098m²
LS-LED706-100	400mm x 400mm x 762mm	100W	13,000lm	7.2kg	0.098m²

## Dimensions and mounting

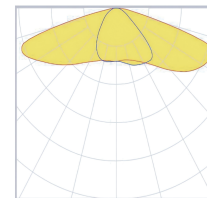


Post-top on a Ø 60mm/Ø 76mm with 94mm long spigot - 8 x M8 screws

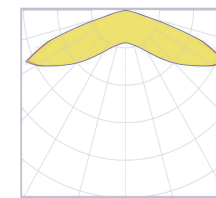
LS-LED706 Post-top

LS-LED706 Post-Top c/w Standard NEMA Socket

## Photometric distribution



Type III



Type V

## Technical Specification

Beam Angle: TypeIII / TypeV  
 Luminous Efficacy: 130lm/W  
 Input Voltage: 100-277VAC  
 Color Rendering Index: ≥80Ra  
 LED Type: LM80 3030LEDs  
 Operating Temperature: -20°C to 50°C  
 Power Factor: ≥0.95  
 Mounting Option: Post-top slip-over - Ø76mm  
 Mounting Height: 3-8m  
 Color Temperature: Neutral White 4000K  
 (Others available on request)

## Applications:



## Benefits -

- Heritage design for maintaining ambience and identity

## Key Features -

- Sturdy one-piece die cast aluminium casing to withstand test of time
- Dark sky friendly, no light pollution (ULOR 0%)
- Compatible with post-top mounting on a Ø76mm Column
- Various dimming/control options: 3/7 pin NEMA ready or Zhaga socket on request
- High performance lighting with optimised light distributions designed for general open areas