

LS-LED700E Post-top street Luminaire



LS-LED700E provides an economical, aesthetic, comfortable, robust and efficient LED solution for the creation of ambiance. Thanks to the optimised design of diffusers, its elegant appearance and gentle glow brings safety and identity to any urban space such as pedestrian areas, car parks and low-to-medium traffic applications for column/post mounting at heights of 3-8m.

With a high tightness level and a very high degree of impact resistance, this luminaire is built to withstand harsh environmental conditions and vandalism to perform over time. High-pressure die cast aluminium housing finished with a UV-stabilised polycarbonate protector, the Eclipse luminaire gives all round uniform illumination while remains dark sky friendly, capable for reaching 20-30lux from typical 5-6m installations. The Eclipse ensures photometric performance and visual comfort to offer safety and well-being in the public space. Furthermore, the luminaire is compatible with standard external mains photocells for dusk-till-dawn control.

The unit is complete with base mount suitable for 76mm post top entry hence universally compatible. Additional benefits include 125lm/W efficacy, +100,000 hour maintenance free performance and minimal disturbance to nocturnal wildlife to the lack of UV/IR spectrum associated with LED photometric characteristics.



Equipped with an internal diffuser for superior visual comfort



Standard color in Silvergray, Corten Brown, Dark Gray, Matte white, Pine Green, Matte black highly resistant to rust and decay



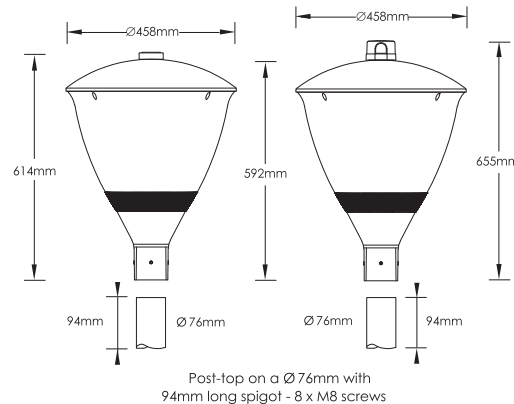
Slip-over mounting onto Ø60mm /Ø76mm spigot

Product information

Durable with rated life span L70>100,000 hours / No UV or IR emissions / Instant Illumination & flicker free / CE, UKCA & RoHS international standards / Environmentally friendly & part recyclable: no mercury or other hazardous materials used / Heavy duty die-cast aluminium housing & UV-stabilised polycarbonate / Complies with EN60598

Code	Nominal Size	Power Consumption	Lumen Output	Nett Weight	Windage
LS-LED700E-030	Ø458mm x 592mm	30W	3,750lm	6.5kg	0.17m ²
LS-LED700E-050	Ø458mm x 592mm	50W	6,250lm	6.5kg	0.17m ²
LS-LED700E-080	Ø458mm x 592mm	80W	10,000lm	6.5kg	0.17m ²

Dimensions and mounting

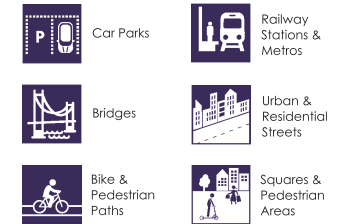


LS-LED700E Post-top c/w Standard NEMA Socket
LS-LED700E Post-top c/w Dusk-to-Dawn Photocell Sensor

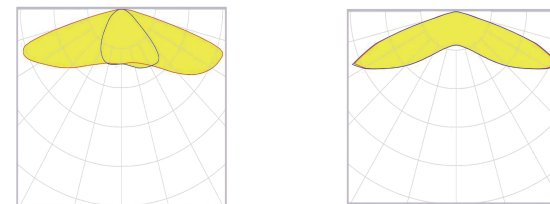
Technical Specification

Beam Angle: 150° x 150° (All-round-optic)
Luminous Efficacy: 125lm/W
Input Voltage: 100-277VAC
Color Rendering Index: ≥80Ra
LED Type: LM80 3030LEDs
Operating Temperature: -20°C to 50°C
Power Factor: ≥0.95
Mounting Height: 3-8m
Color Temperature: Neutral White 4000K
(Others available on request)

Applications:



Photometric distribution



Type III

Type v

Benefits -

- Right lighting offering high performance photometry, comfort and safety

Key Features -

- Equipped with an internal diffuser for superior visual comfort
- Slip-over mounting onto a 76mm diameter spigot
- Robust design for maintained performance over time
- Various dimming/control options: 3/7 pin NEMA ready or Zhaga socket on request
- High performance lighting with optimised light distributions designed for general open areas