

LS-LED1311 Series Vandal Resistant Luminaire



LS-LED1311 provides customers with a premium quality vandal-proof and tamper-resistant fixture that is aesthetically pleasing and suited to mounting conditions in areas requiring high levels of protection. Perfect for railway platforms, pedestrian bridges, tunnels, bus stations, overpasses, parking garages, sports complexes, and laboratories.

It is perfect transportation lighting. It supports a safe and visually comfortable environment for the occupants. Transportation lighting requirements are complex - it is critical to provide a visually safe and glare-free environment for the users while providing efficient and effective lighting systems. It is IP66, IK10.

The high-quality, two-part aluminum housing is impressive due to the simple assembly. The convenient latch on the door opens easily making this product maintenance-friendly. It is made of robust impact resistant material that is vandal, moisture, and dust proof.



Stand alone, continuous runs, surface ceiling, wall and pendant



Standard color in Silvergray, Corten Brown, Dark Gray, Matte white, Pine Green, Matte black highly resistant to rust and decay



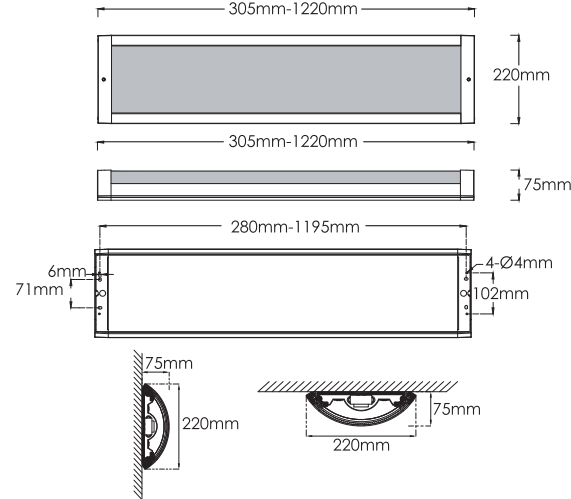
Single or double row LEDs for customized outputs

Product information

Durable with rated life span L70>100,000 hours / No UV or IR emissions / Instant Illumination & flicker free / CE, UKCA & RoHS international standards / Environmentally friendly & part recyclable: no mercury or other hazardous materials used / Heavy duty die-cast aluminium housing & UV-stabilised polycarbonate / Complies with EN60598

Code	Nominal Size	Power Consumption	Lumen Output	Nett Weight	CCT
LS-LED1311-1FT	305mmx220mmx76mm	30W/20W/15W	2,800/2,000/15,00lm	2.1kg	3000K/4000K/5000K
LS-LED1311-2FT	610mmx220mmx76mm	50W/40W/30W	5,500/4,500/3,500lm	3.5kg	3000K/4000K/5000K
LS-LED1311-3FT	915mmx220mmx76mm	95W/85W/75W	9,500/8,500/7,500lm	4.9kg	3000K/4000K/5000K
LS-LED1311-4FT	1220mmx220mmx76mm	100W/90W/80	10,000/9,000/8,000lm	6.3kg	3000K/4000K/5000K

Dimensions and mounting



Wall-mounted

Ceiling-mounted

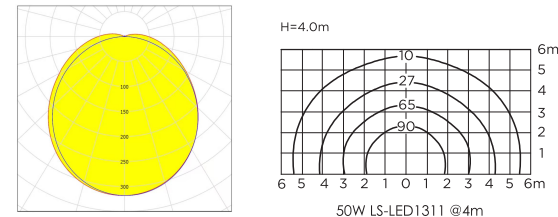
Technical Specification

Distribution : 150°x 150°(All-round-optic)
 Luminous Efficacy: 100lm/W up
 Input Voltage: 100-277VAC
 Color Rendering Index: ≥80Ra
 LED Type: LM80 3030LEDs
 Operating Temperature: -20°C to 50° C
 Power Factor: ≥0.95
 Mounting Height: 3-6m
 Color Temperature: Neutral White 4000K
 (Others available on request)

Applications:



Photometric distribution



50W LS-LED1311 @4m

Benefits -

- Right lighting offering high performance photometry, comfort and safety

Key Features -

- Elegantly designed with visual-comfortable illumination performance
- Impact proof IK10 rated PC lens with symmetrical distribution
- Optional -20°C emergency battery backup driver
- Robust design for maintained performance over time
- High performance lighting with optimised light distributions designed for general open areas